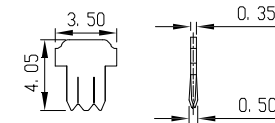
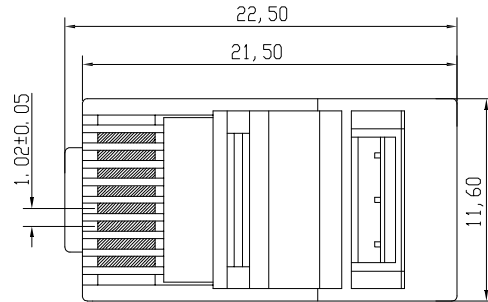
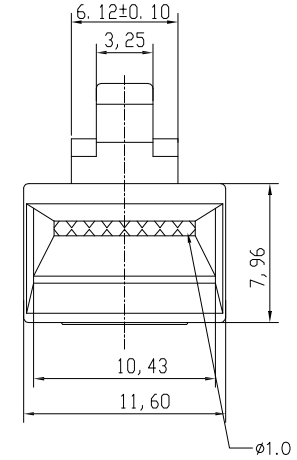
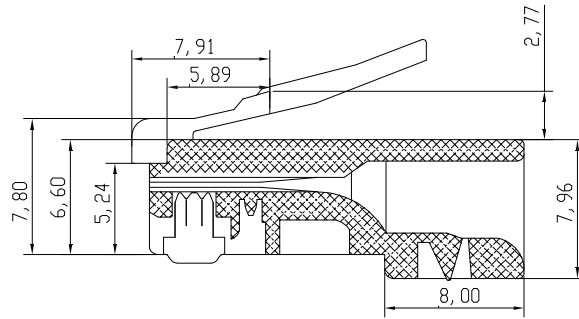
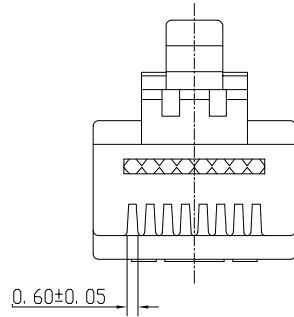




Product NO. DW-CO-RJ45-5E-UTP-EASY

ISSUE	DESCRIPTION	DWN	DATE	APPROVEN
R1.0	First issue	Gavin	2022/11/03	JIM. KING



For Standard Wire

**FEATURES:**

1 Electrical Test:

A. 250V AC max at 2 amps.

B. Dielectric with standing 500volts AC.

C. Insulation Resistance: 500 megaohms.

D. Termination Resistance : 35megaohms.

2 Mechanical:

A. Cable-to-Plug tensile strength-20LBs (89N)min.

B. Durability: 500 mating cycles.

-TOLERANCES- UNLESS OTHERWISE SPECIFIED					
	PART DESCRIPTION: RJ45 CAT5E 8p8c Unshielded EASY for Solid/Stranded Wire				
UNLESS OTHERWISE SPECIFIED TOLERANCES FOR MILLIMETERS ARE: 0.5 - 8mm ± 0.20mm 8 - 30mm ± 0.25mm 30 -120mm ± 0.30mm	Appr: JIM. KING	P/N: DW-CO-RJ45-5E-UTP-EASY			
	Check:	Date	Scale	Unit	Type
	Draw: Gavin	2022. 11. 03	Free	MM	Z
					Page
					1/1