



Parabolic antenna JRC-32DD MIMO Precision MimX

Dual-polarized parabolic antenna **JRC-32 Deep Dish MIMO Precision MimX** is designed for links with dual-polarized **C5x, B5x and C6x radio units** at the frequency band 5/6 GHz. The antenna is designed for environments with multiple reflections for long and medium distances in difficult conditions. **Its design with deep dish increases isolation among antennas on a mast and increases front to back ratio. The new concept expands the frequency band.** JRC-32DD MIMO Precision MimX version includes a **massive holder JDMW-900** developed for microwave links.

Electrical parameters:

Frequency range	4.9 – 6.4 GHz
Gain	32.1 ± 1 dBi
VSWR 5.1 – 5.9 GHz	≤ 1.3
Beamwidth -3 dB	4.3°
Front to Back ratio	≥ 52 dB
Polarization	Determined by radio unit

Mechanical parameters:

Parabola	Ø 900 mm, Aluminium alloy
Radome	UV steady plastic ABS
Type of connector	Twist-on waveguide for C5x, B5x, C6x
Installation for mast	Ø 40 - 120 mm
Operating wind load	140 km/h (87 mph)
Survival wind load	210 km/h (130 mph)
Weight of antenna	8.2 kg (18.1 lbs.)
of holder	3.2 kg (7.0 lbs.)
Shipping dimensions	1000 x 990 x 430 mm / 18 kg (39.7 lbs.)

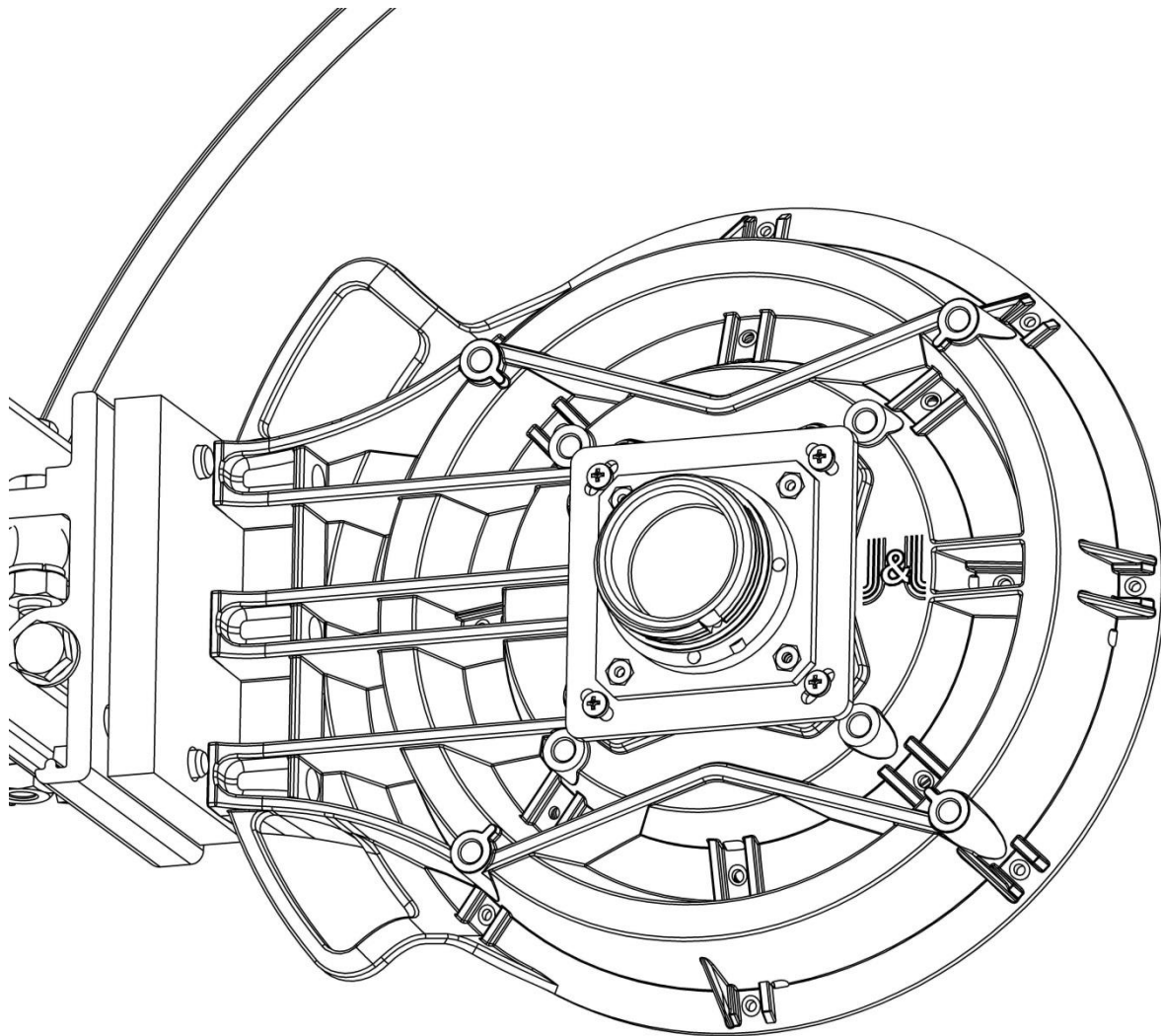
Parabolic antenna JRC-32DD MIMO Precision MimX

Usage:

The antenna is supplied with a holder (packed separately) that allows easy mounting on a mast. The holder can be installed separately on the mast. Subsequently, you can simply hang up the antenna with microwave unit into it. The holder allows precise adjustment in both directions. In the areas with the expected occurrence of the strong winds mounting on the mast with minimal \varnothing 50 mm is recommended.

Right and left side mounting is possible.

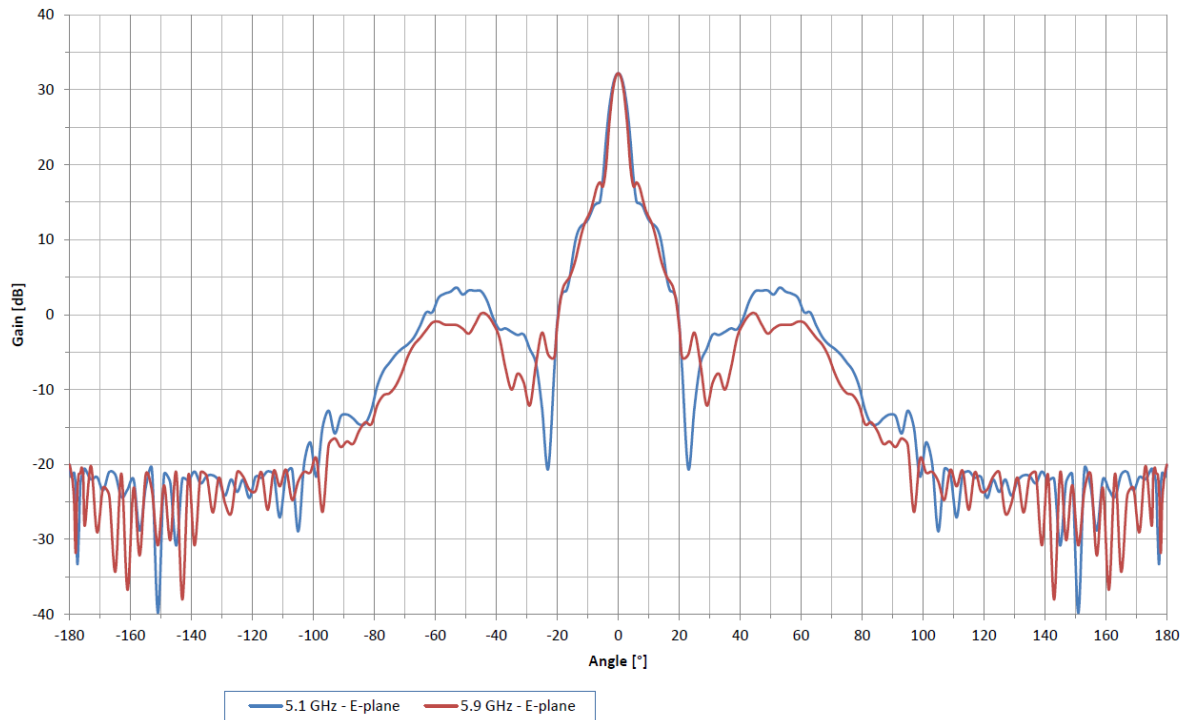
Detail of waveguide:



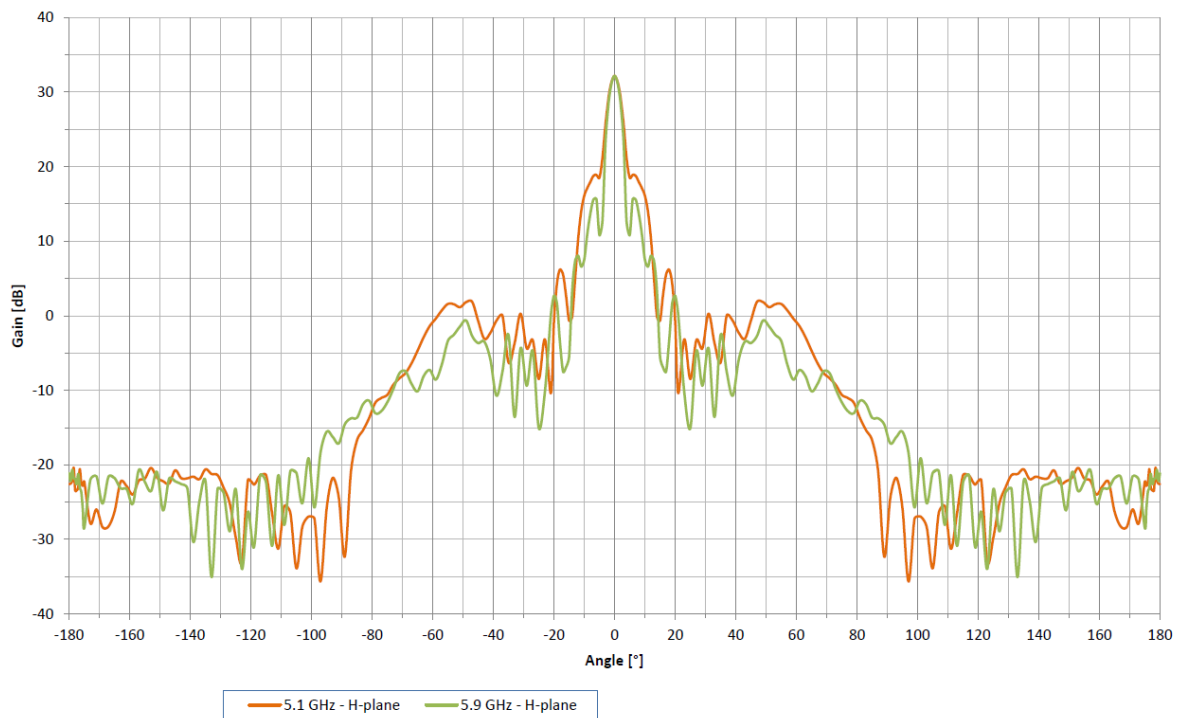
Parabolic antenna JRC-32DD MIMO Precision MimX

Measurement of radiation pattern:

JRC-32DD MIMO - E-plane

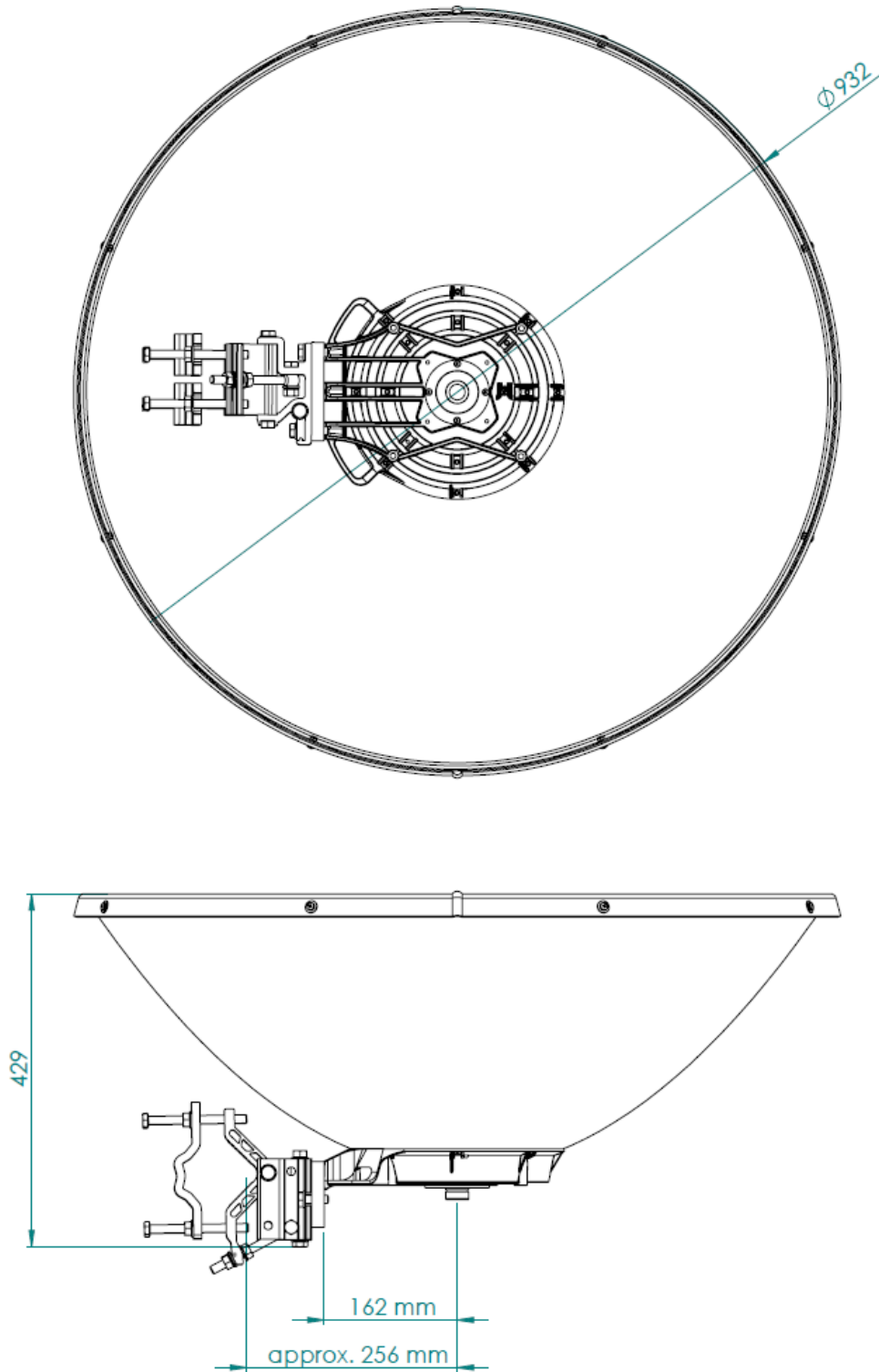


JRC-32DD MIMO - H-plane



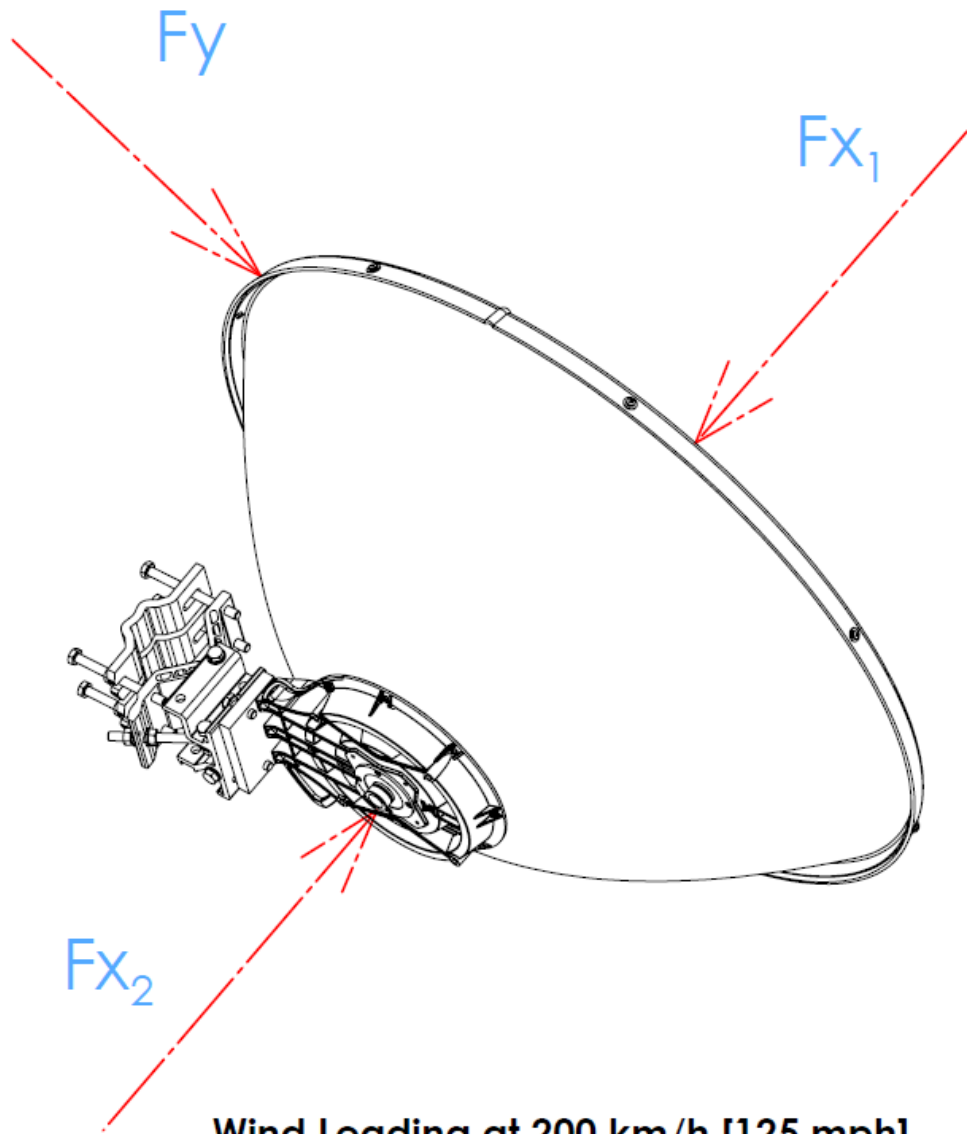
Outline:

Parabolic antenna JRC-32DD MIMO Precision MimX



Wind loading:

Parabolic antenna JRC-32DD MIMO Precision MimX



Direction	Force [N]	Force [lbf]
F_{x_1}	1443	324,4
F_{x_2}	1324	297,4
F_y	91	20,4