

Adaptor JXEH-80-680

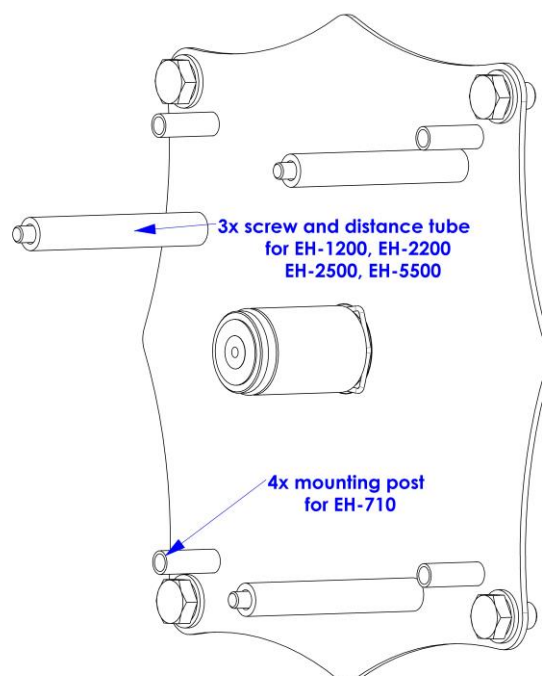
The adaptor is designed for **Jirus antennas** (of the required frequency band) and allows the installation of **Siklu** radio units.

Technical parameters:

Frequency band	80 GHz
Polarization	according to radio unit
Insert loss	< 0,1 dB
Waveguide	Circular
Material	Aluminum alloy with high corrosion protection Stainless steel
Weight	1.2 kg (2.7 lbs)
Package size/weight	220x235x50 mm / 1.2kg (2.7 lbs)

Compatible radio units:

EH-710
EH-1200
EH-2200
EH-2500
EH-5500



the adaptor

Suitable antennas:

All Jirus antennas 680 mm / 2ft are compatible.