



Adaptor JXSummit

The adaptor is designed for **Jirous antennas** (of the required frequency band) and allows the installation of **Summit Development** radio units.

Technical parameters:

Frequency band	for all frequency bands (except hybrid 17/24 GHz)
Polarization	according to radio unit
Insert loss	0 dB
Material	Stainless steel
Weight	0.4 kg (0.9 lbs)

Compatible radio units:

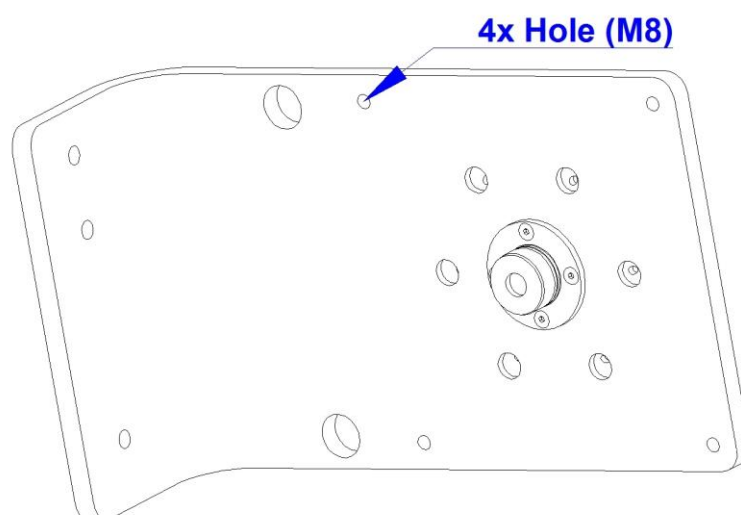
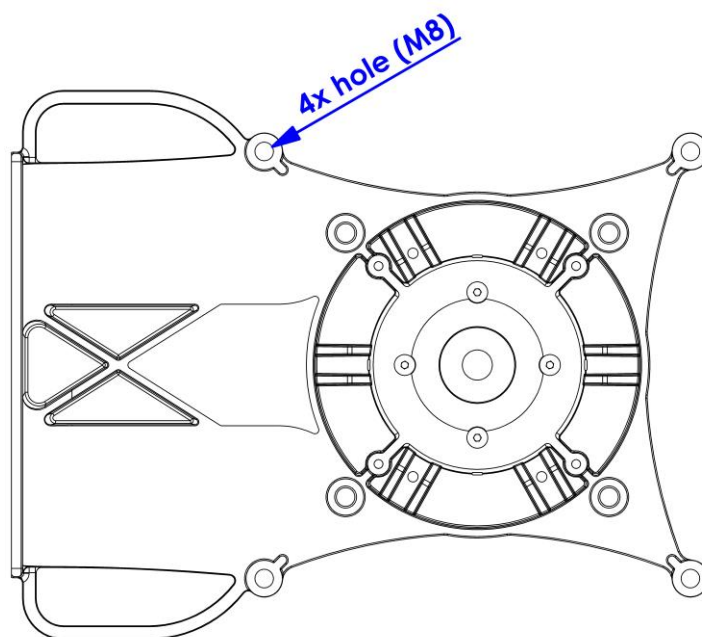
Summit Development: all radio units except hybrid 17/24 GHz

Adaptor JXSummit

Suitable antennas:

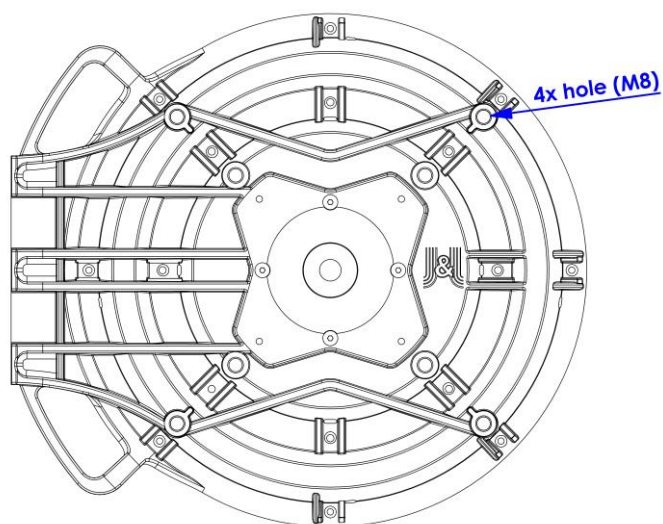
Adaptors require mounting holes M8 at antenna (see pictures below). All Jirous antennas since the year 2022 are compatible and some older models too.

400 mm / 1 ft antennas
with back part:

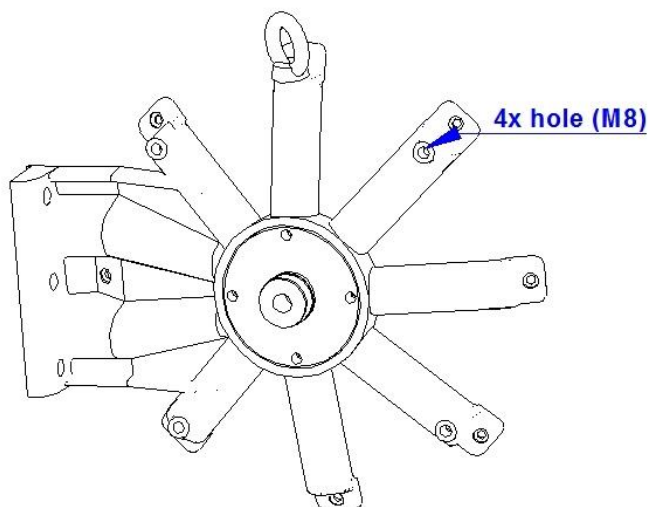


Adaptor JXSummit

680 and 900 mm / 2 and 3 ft
antennas with back part:



900 mm / 3 ft older model:
Mounting needs longer screws and
12 mm long distance tubes
- not included



1200 mm / 4 ft antennas: all models

1800 mm / 6 ft antennas: all models