

Parabolic antenna JRMD-400-80

Antenna JRMD-400-80 is designed for microwave links at the frequency band 80 GHz. Precise performance with deep reflector dish complies with standard ETSI class 2.

Electrical parameters:

Frequency range	71 – 86 GHz
Gain - Low frequency	46.4 ± 1 dBi
Gain - High frequency	48.2 ± 1 dBi
Front to back ratio	≥ 63 dB
Beamwidth _{-3 dB}	0.7°
Return loss	≥ 15 dB
Polarization	Linear, vertical/horizontal
Electrical Compliance	Class 2 ETSI EN 302-217-4-2 v1.5.1

Mechanical parameters:

Parabola	Ø 400 mm, Aluminium
Radome	UV steady plastic
Input / output	Circle waveguide Ø 3.2 mm
Installation for mast	Ø 40 - 120 mm
Operating wind load	180 km/h (112 mph)
Survival wind load	240 km/h (149 mph)
Weight of antenna	2.1 kg (4.6 lbs.)
of holder	2.5 kg (5.5 lbs.)
Shipping dimensions	

Parabolic antenna JRMD-400-80

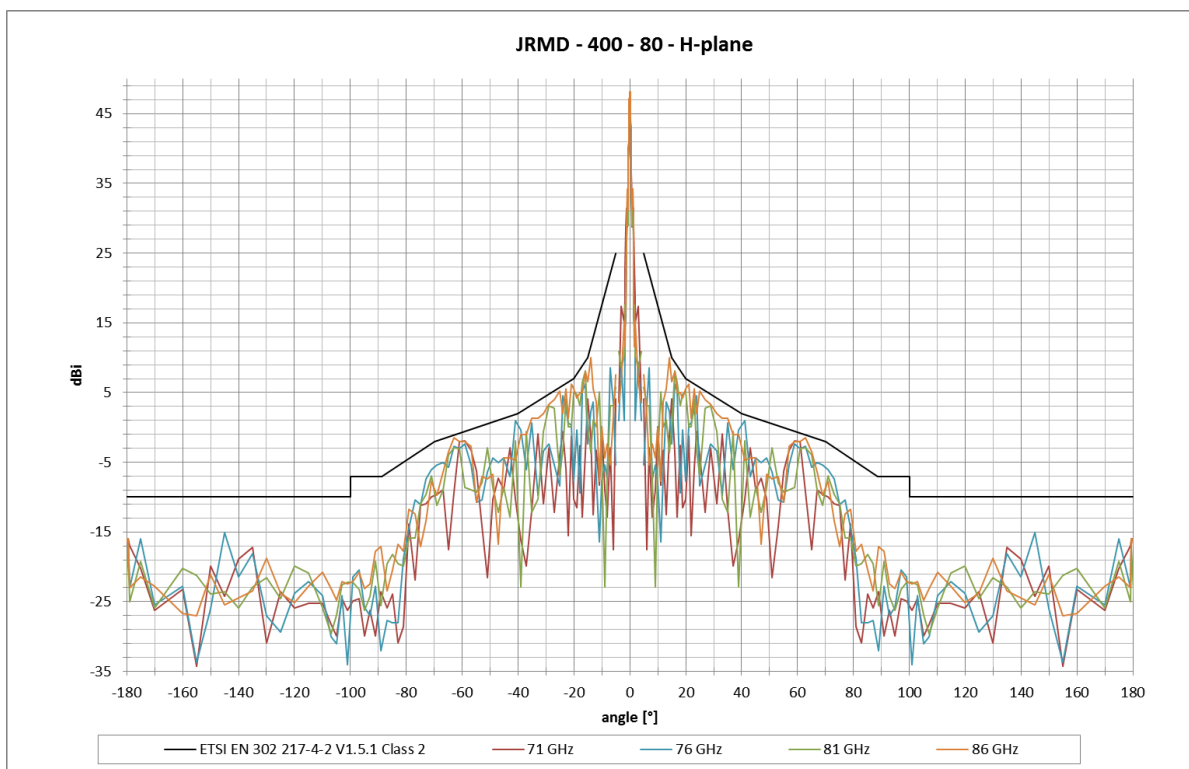
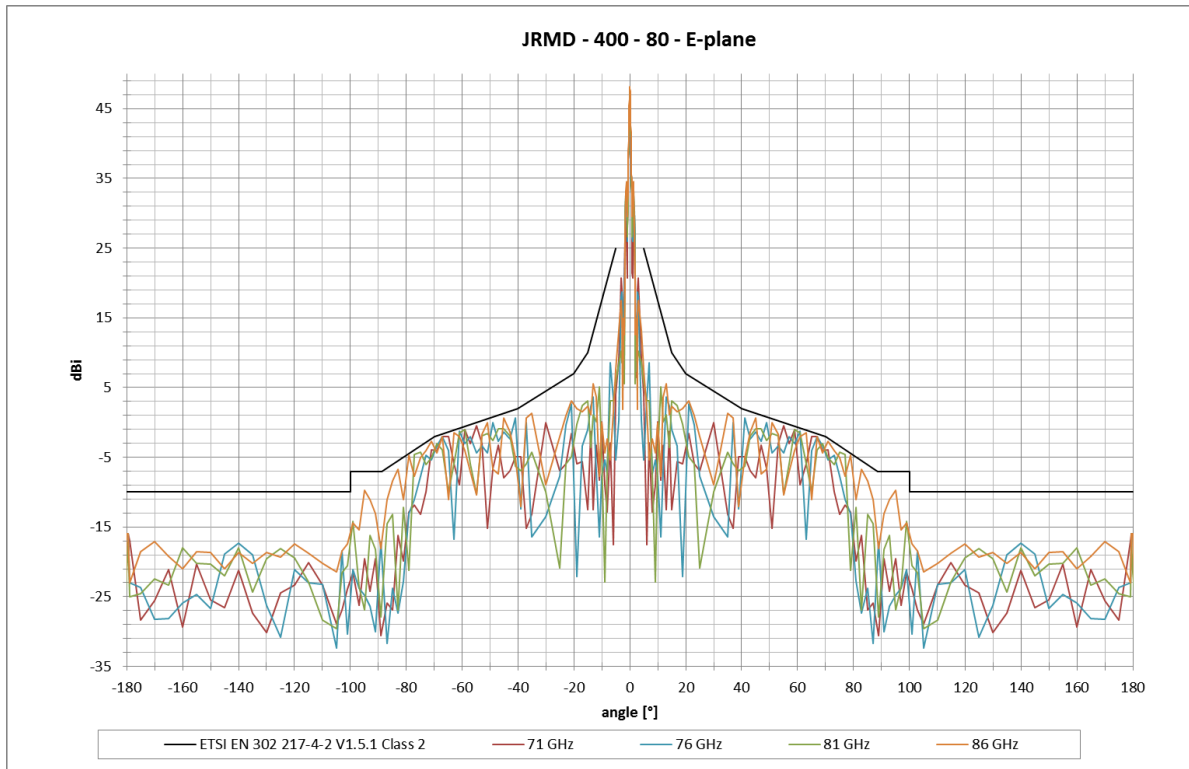
Usage:

- deep parabola for better parameters
- **easy to assembly:** first the holder and then the antenna only by 2 screws
- superior stability when tightening after alignment
- extreme wind stability

The antenna is supplied with a holder that allows easy mounting on a mast. The holder can be installed separately on the mast. Subsequently, you can simply hang up the antenna with microwave unit into it. The holder allows precise adjustment in both directions. Ready for right and left side mounting.

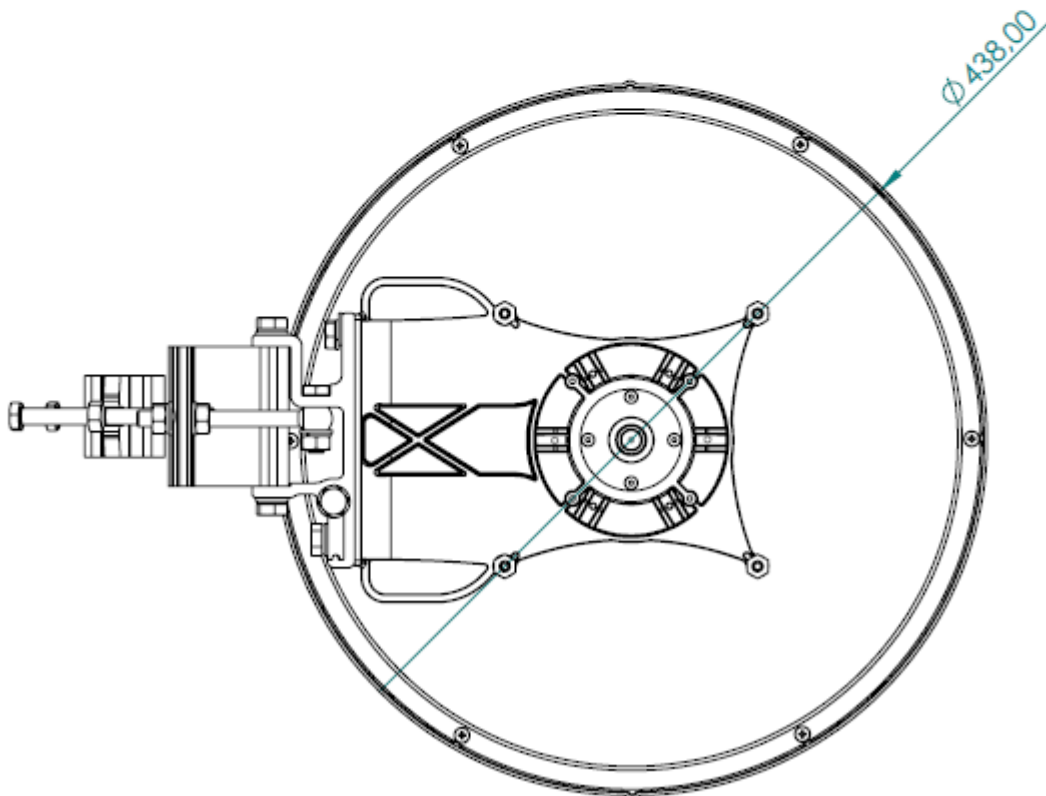
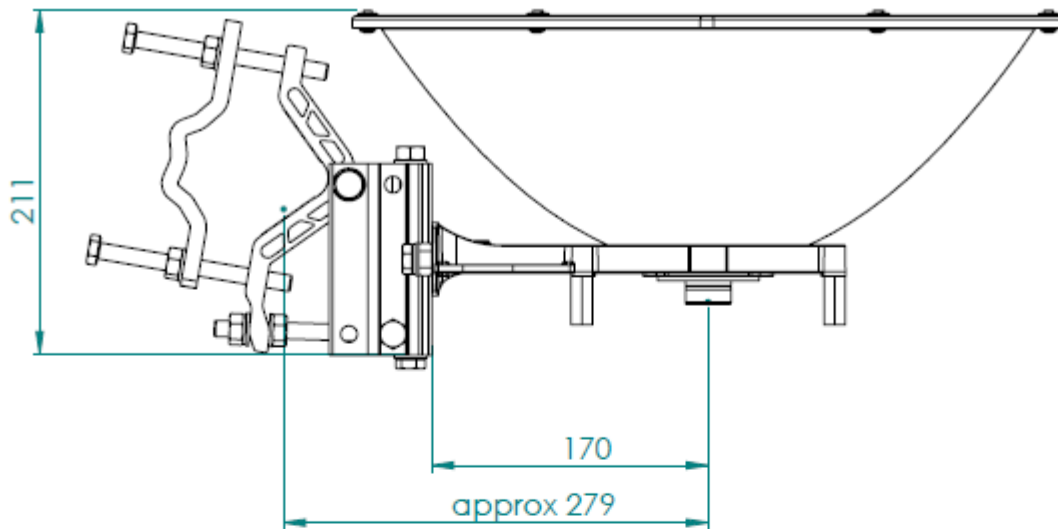
Parabolic antenna JRMD-400-80

Measurement of radiation pattern:



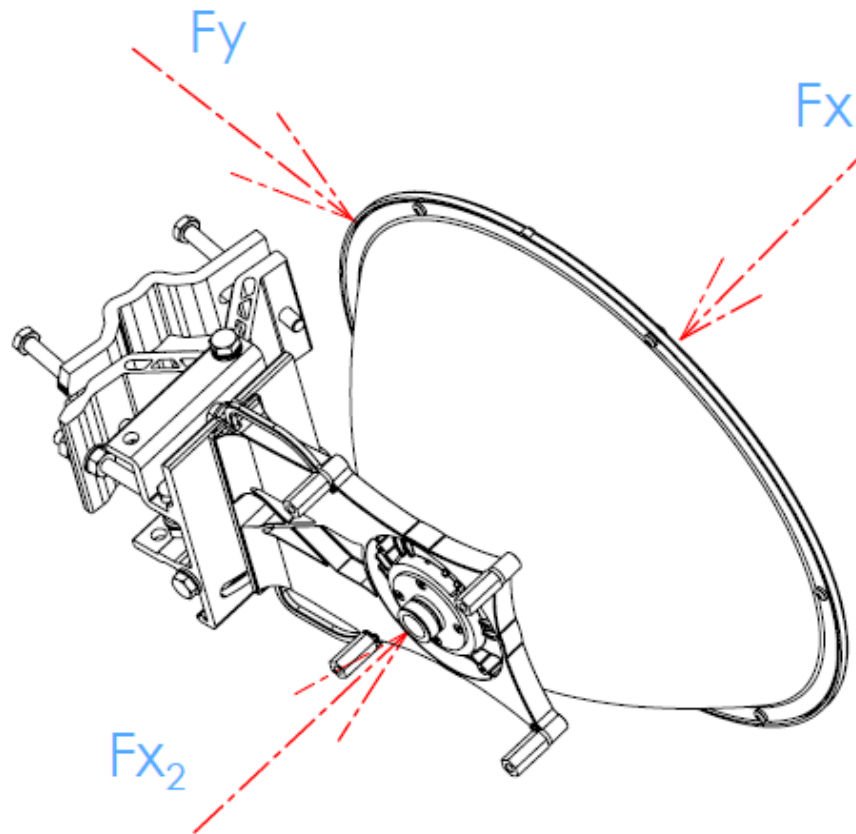
Parabolic antenna JRMD-400-80

Outline:



Parabolic antenna JRMD-400-80

Wind loading:



Wind loading 200 km/h [125 mph]

Direction	Force [N]	Force [lbf]
F_{x_1}	344	77,3
F_{x_2}	313	70,3
F_y	17	3,8