

Parabolic antenna JRMD - 400 -10/11

Antenna JRMD – 400 – 10/11 is designed for microwave links at the frequency band 10 and 11 GHz. The new generation is coming in a deep reflector dish design with a massive holder.

Electrical parameters:

| | |
|------------------------------|---|
| Frequency range | 10.0 - 12.0 GHz |
| Gain - Low frequency | 29.0 ± 1 dBi |
| Gain - High frequency | 30.0 ± 1 dBi |
| Front to back ratio | ≥ 50 dB |
| Beamwidth -3 dB | 4.6° ± 1° |
| Return loss | ≥ 14 dB _{/10.3 – 11.7 GHz} |
| Polarization | Linear, vertical/horizontal |
| ETSI standard | Class 2 ETSI EN 302-217-4-2 v1.5.1 |

Mechanical parameters:

| | |
|------------------------------|---------------------------------------|
| Parabola | Ø 400 mm, Aluminium alloy |
| Radome | UV steady plastic ABS |
| Input / output | Circle waveguide Ø 19 mm |
| Installation for mast | Ø 40 - 120 mm |
| Operating wind load | 180 km/h (112 mph) |
| Survival wind load | 240 km/h (149 mph) |
| Weight of antenna | 1.9 kg (4.1 lbs.) |
| of holder | 2.4 kg (5.3 lbs.) |
| Shipping dimensions | 480 x 475 x 250 mm / 5.9 kg (13 lbs.) |

Parabolic antenna JRMD - 400 -10/11

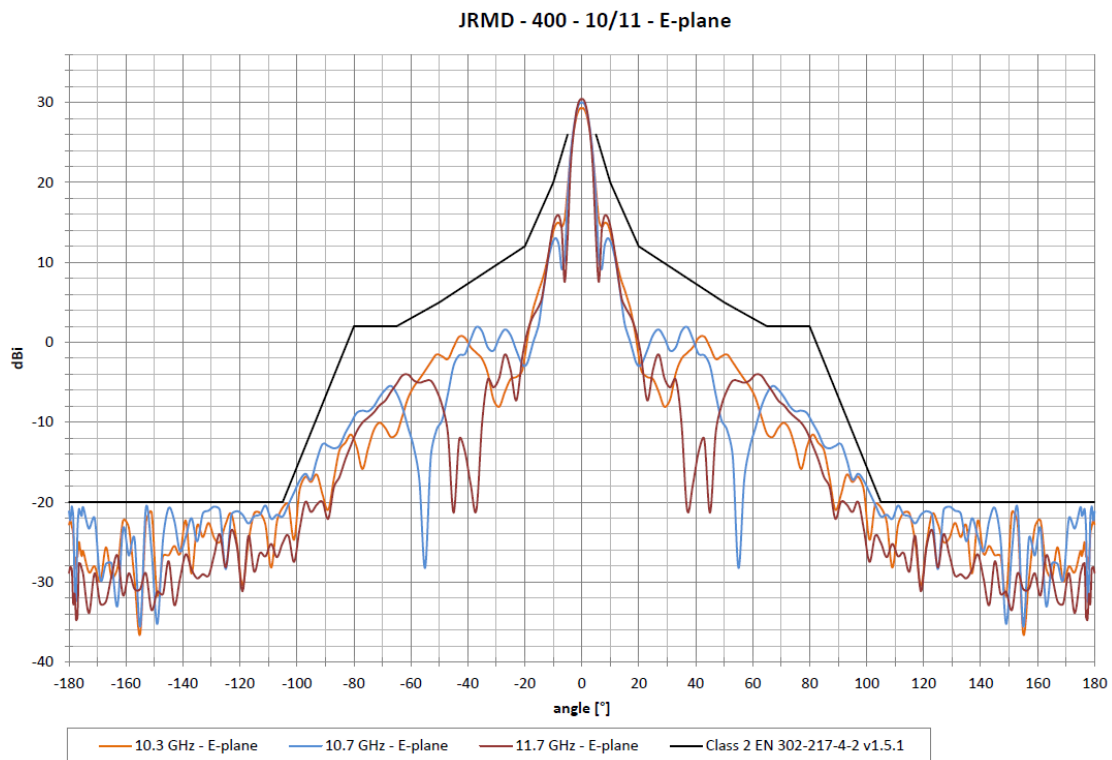
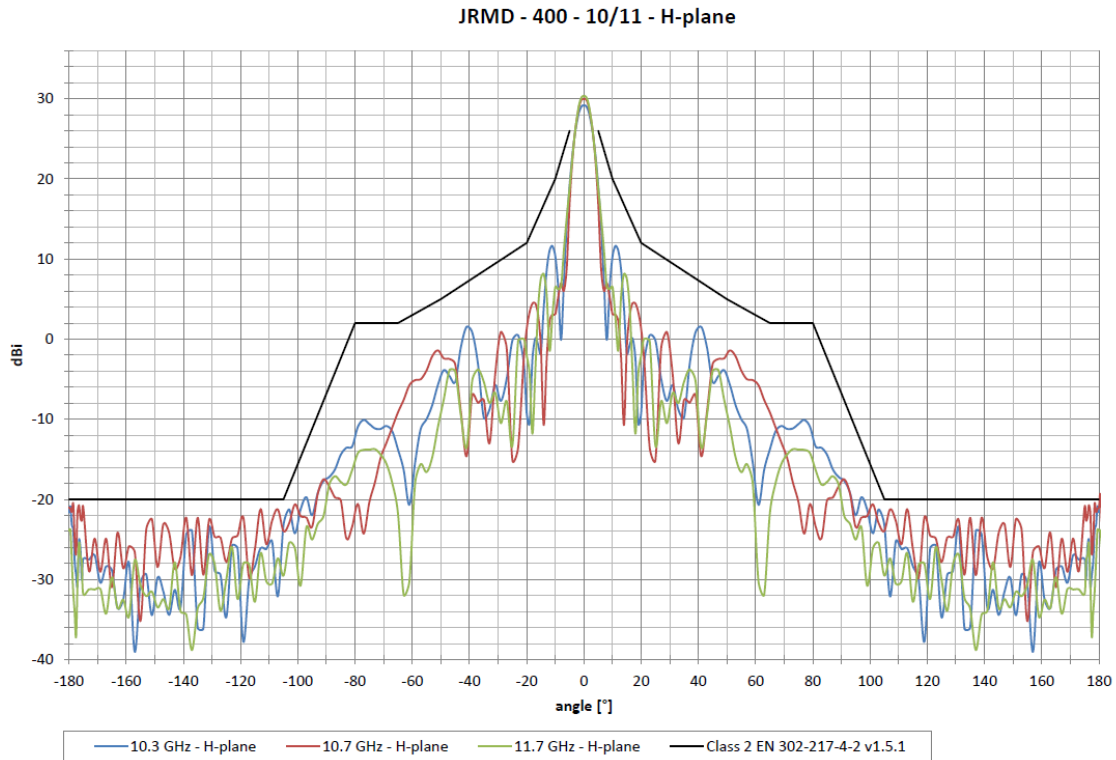
Usage:

- deep parabola for better parameters
- **easy to assembly:** first the holder and then the antenna only by 2 screws
- **fine setting** elevation (of gradient) and azimuth $\pm 20^\circ$
- extreme wind stability

The antenna is supplied with a holder that allows easy mounting on a mast. The holder can be installed separately on the mast. Subsequently, you can simply hang up the antenna with microwave unit into it. The holder allows precise adjustment in both directions. Ready for right and left side mounting.

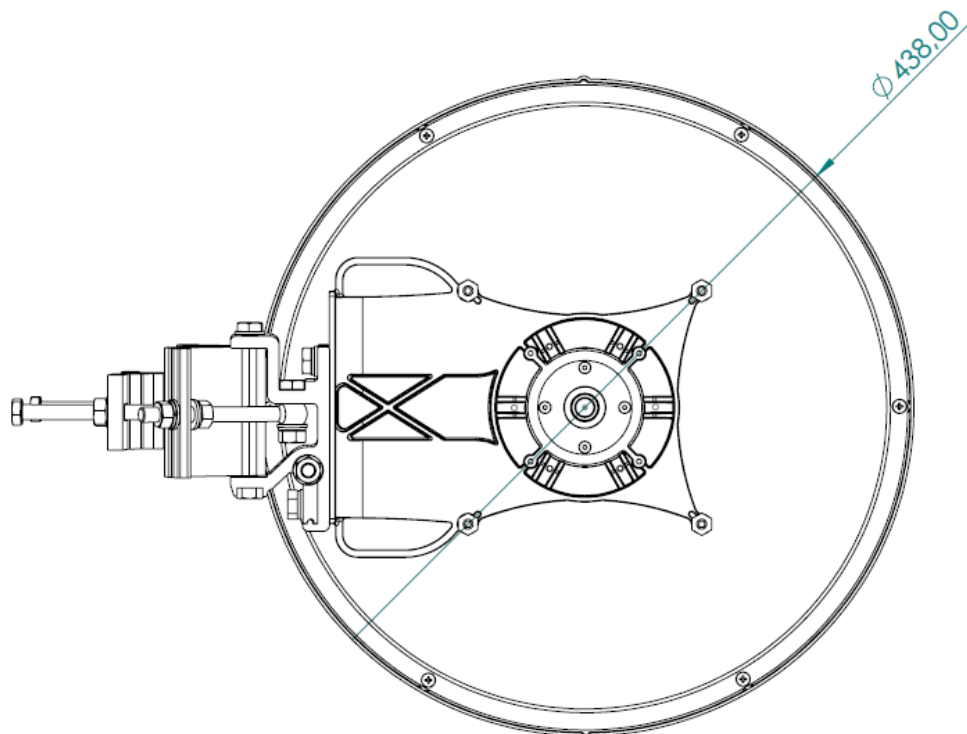
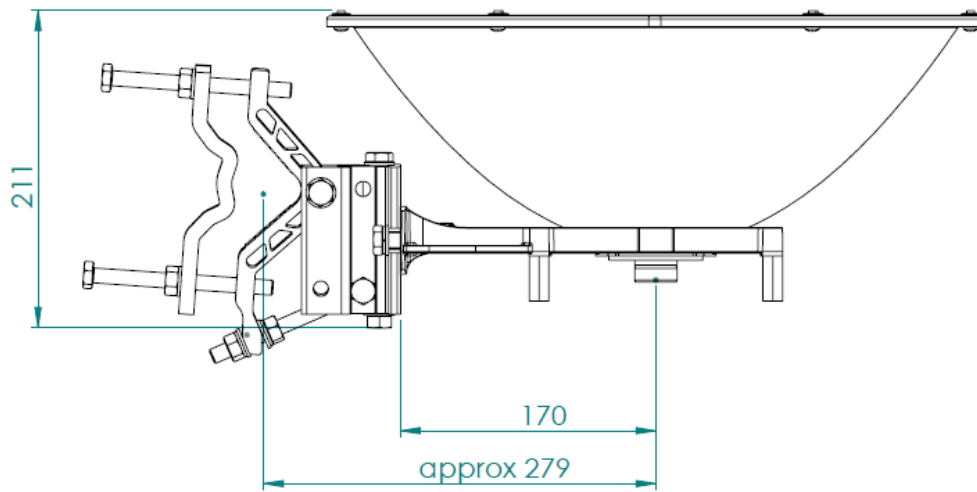
Parabolic antenna JRMD - 400 - 10/11

Measurement of radiation pattern:



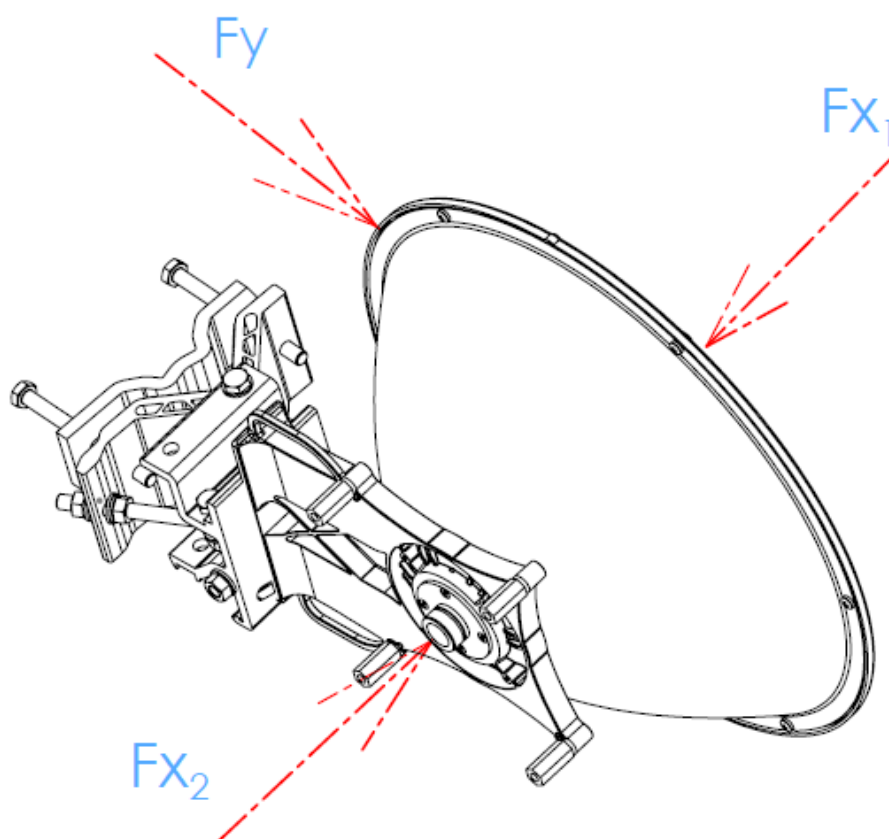
Parabolic antenna JRMD - 400 -10/11

Outline:



Parabolic antenna JRMD - 400 -10/11

Wind loading:



Wind loading 200 km/h [125 mph]

| Direction | Force [N] | Force [lbf] |
|-----------|-----------|-------------|
| F_{x_1} | 344 | 77,3 |
| F_{x_2} | 313 | 70,3 |
| F_y | 17 | 3,8 |