



UVC-G4-BULLET Quick Start Guide

Package Contents



Camera



Cable Gland



Screw Anchors (Qty. 2)



Self-Tapping Screws (Qty. 2)



Pole Mount Bracket



Machine Screws (Qty. 2)

Installation Requirements

- Shielded Category 5 (or above) cabling should be used for all wired Ethernet connections and should be grounded through the AC ground of the PoE. We recommend that you protect your networks from harmful outdoor environments and destructive ESD events with industrial-grade, shielded Ethernet cable from Ubiquiti. For more details, visit: ui.com/toughcable

Hardware Overview



UVC-G4-BULLET Quick Start Guide



1 Ethernet Port

Gigabit RJ45 port connects to an 802.3af PoE switch for PoE power and data.

2 Reset Button

To reset to factory defaults, press and hold the Reset button for more than 10 seconds while the camera is powered on.

Hardware Installation

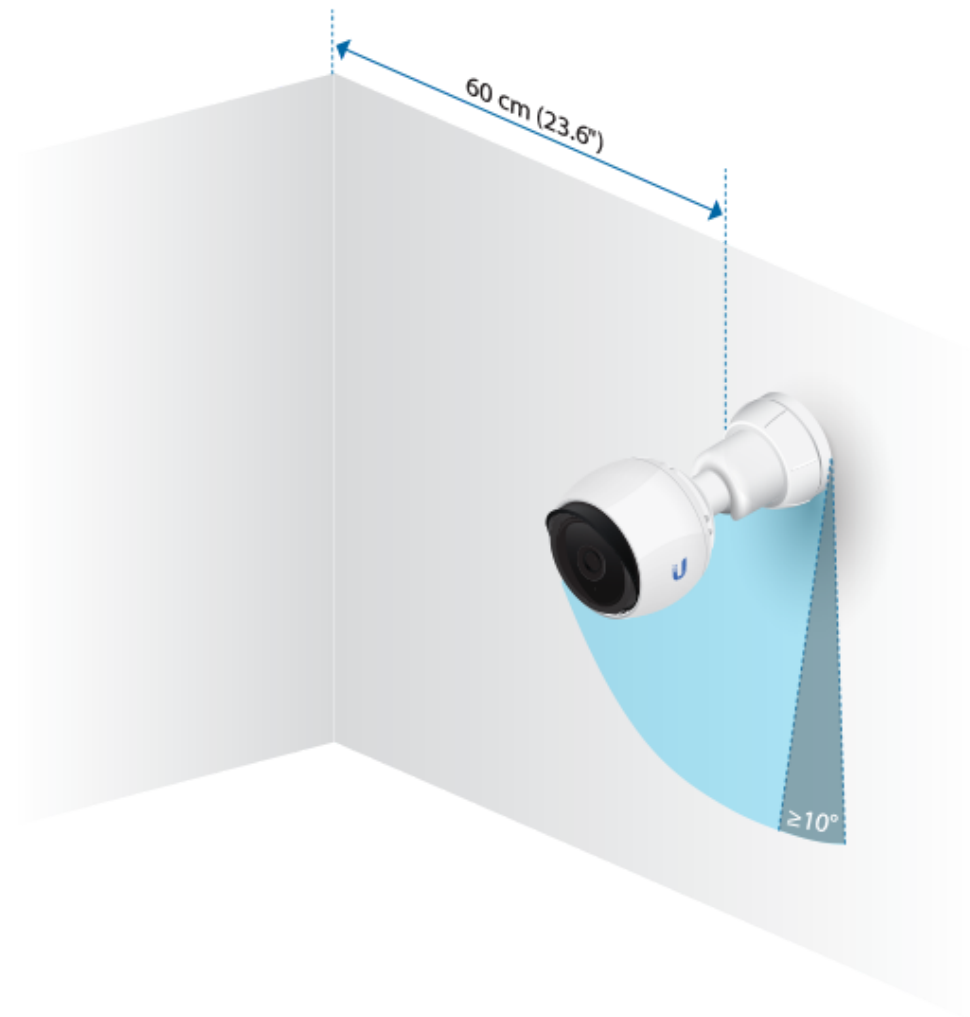
Ceiling Mount



UVC-G4-BULLET Quick Start Guide

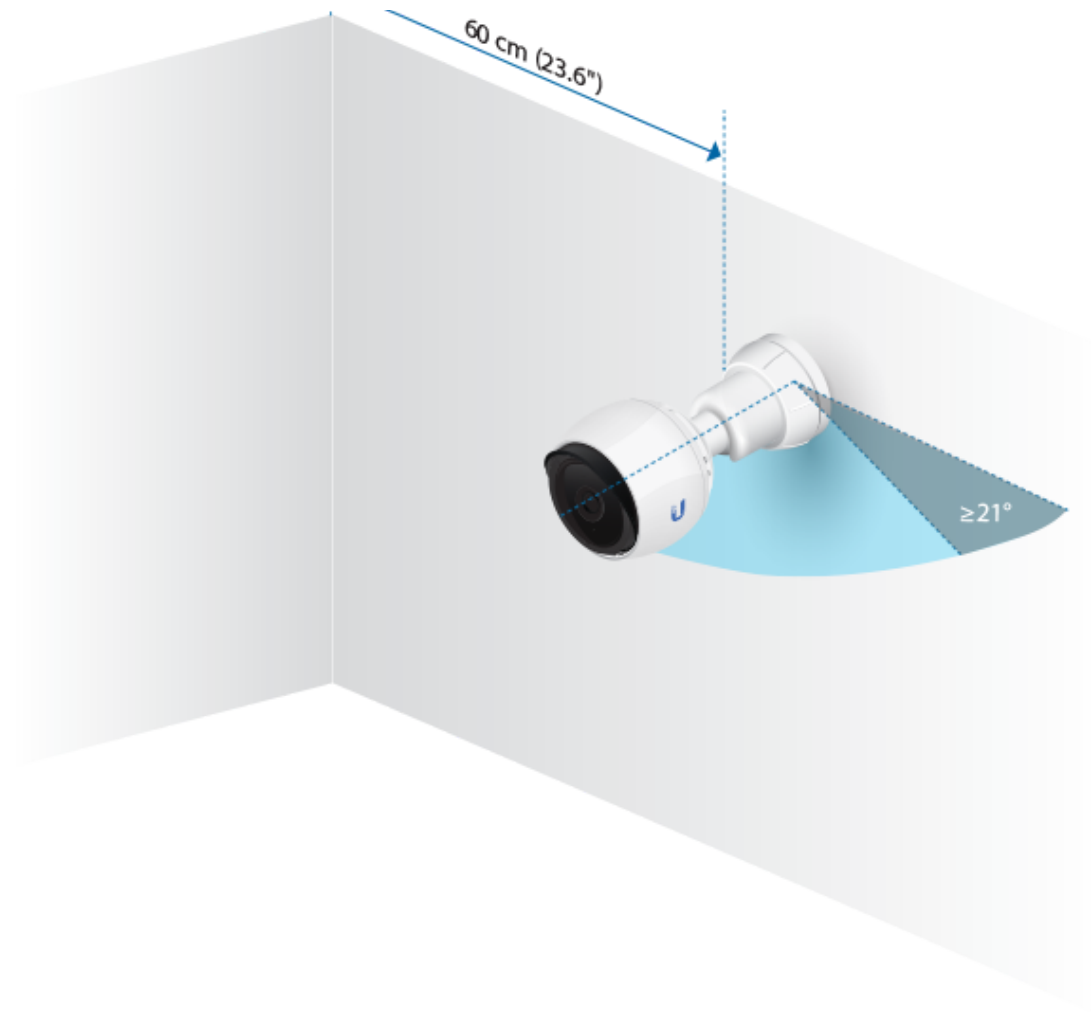


Wall Mount





UVC-G4-BULLET Quick Start Guide



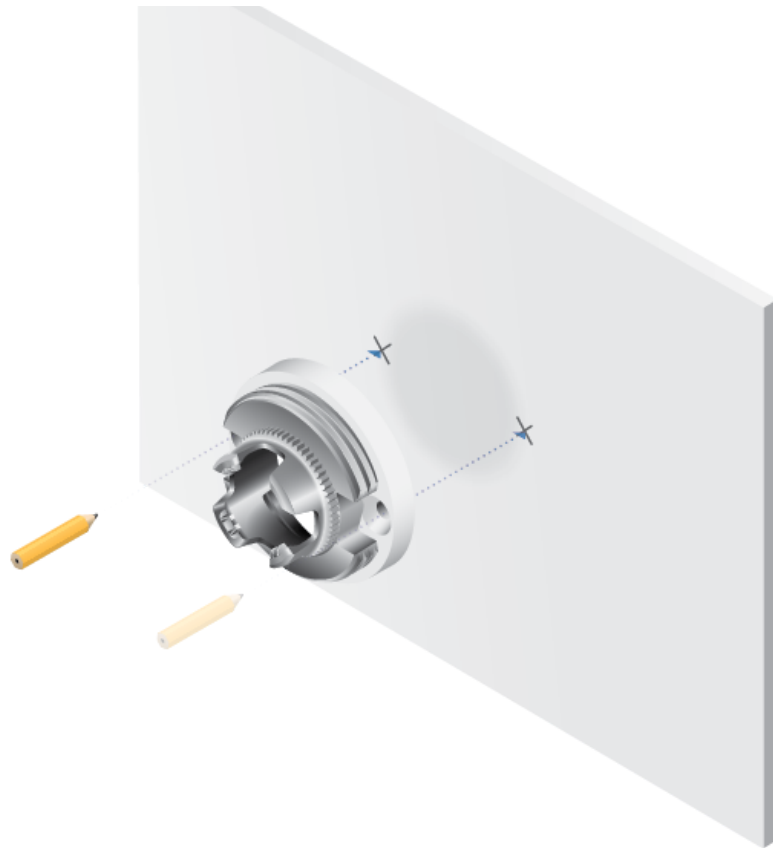
1.



2.

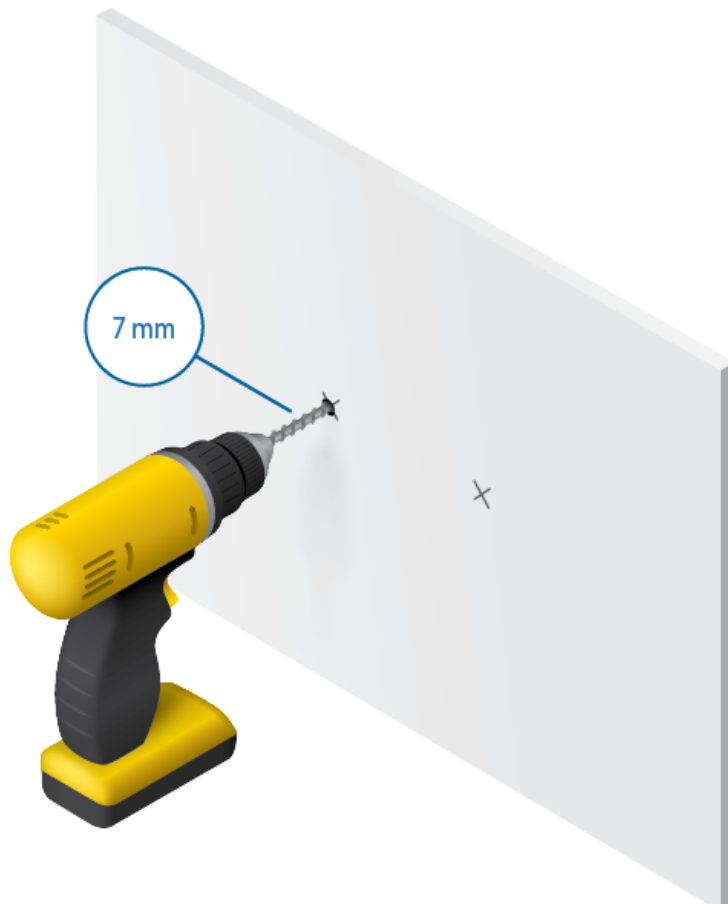


UVC-G4-BULLET Quick Start Guide



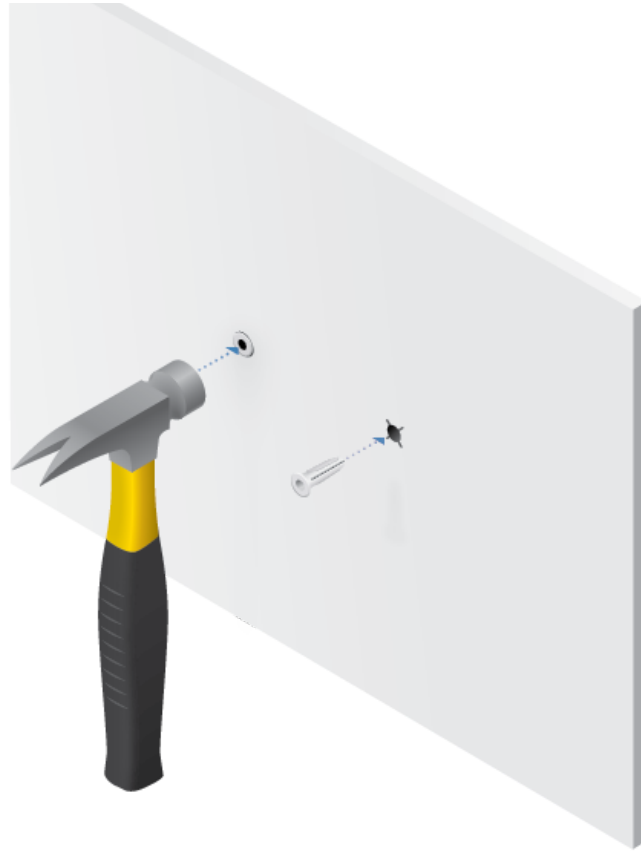
 **Note:** For outdoor installations, position the Cable Slot downward.

3.

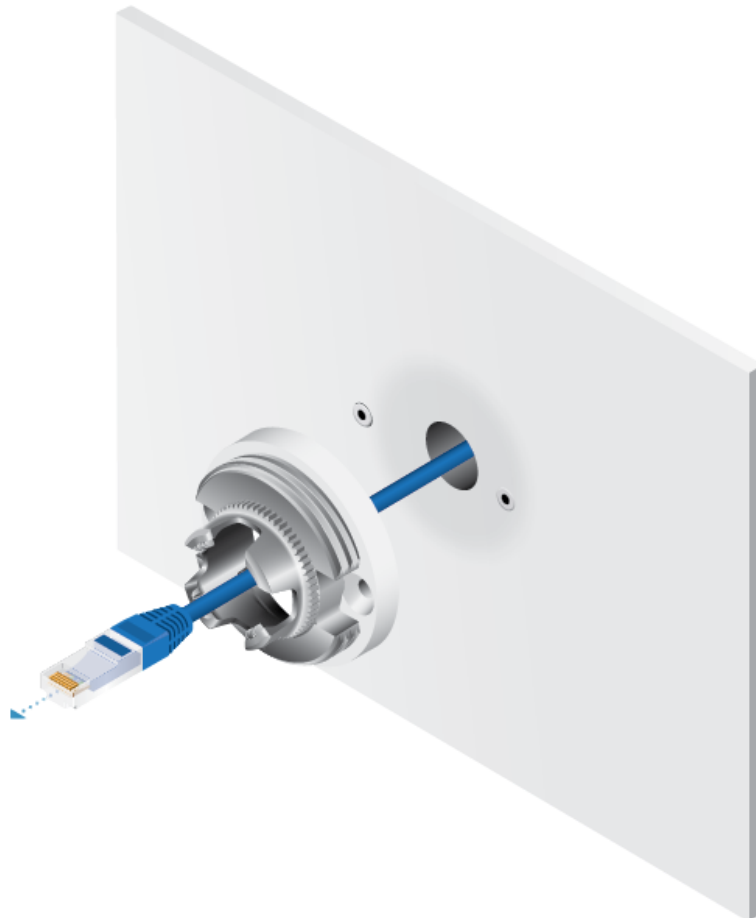




UVC-G4-BULLET Quick Start Guide



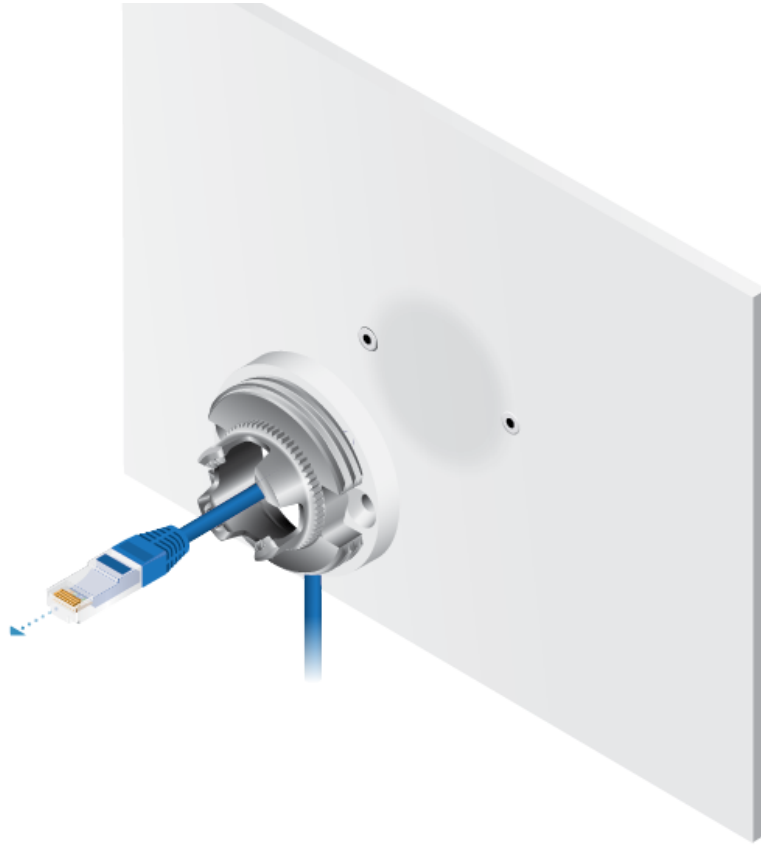
5.



OR

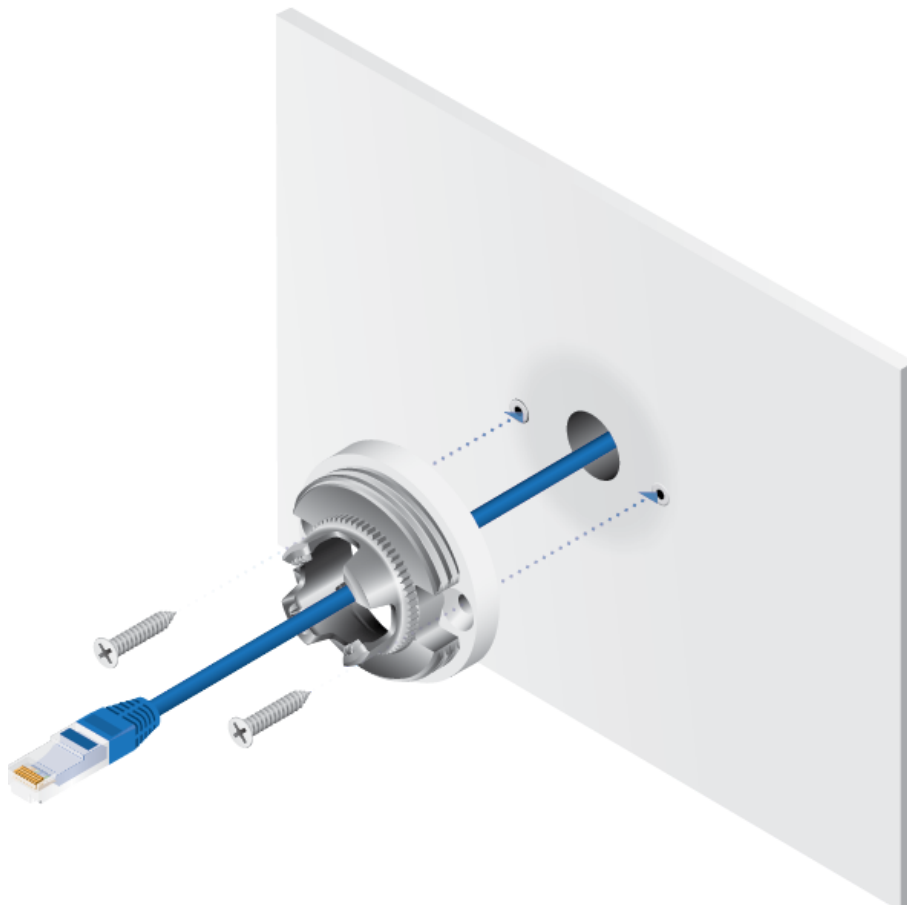


UVC-G4-BULLET Quick Start Guide



! **IMPORTANT:** If you are installing your camera outdoors, create a drip loop for the cable below the camera to prevent water ingress.

6.

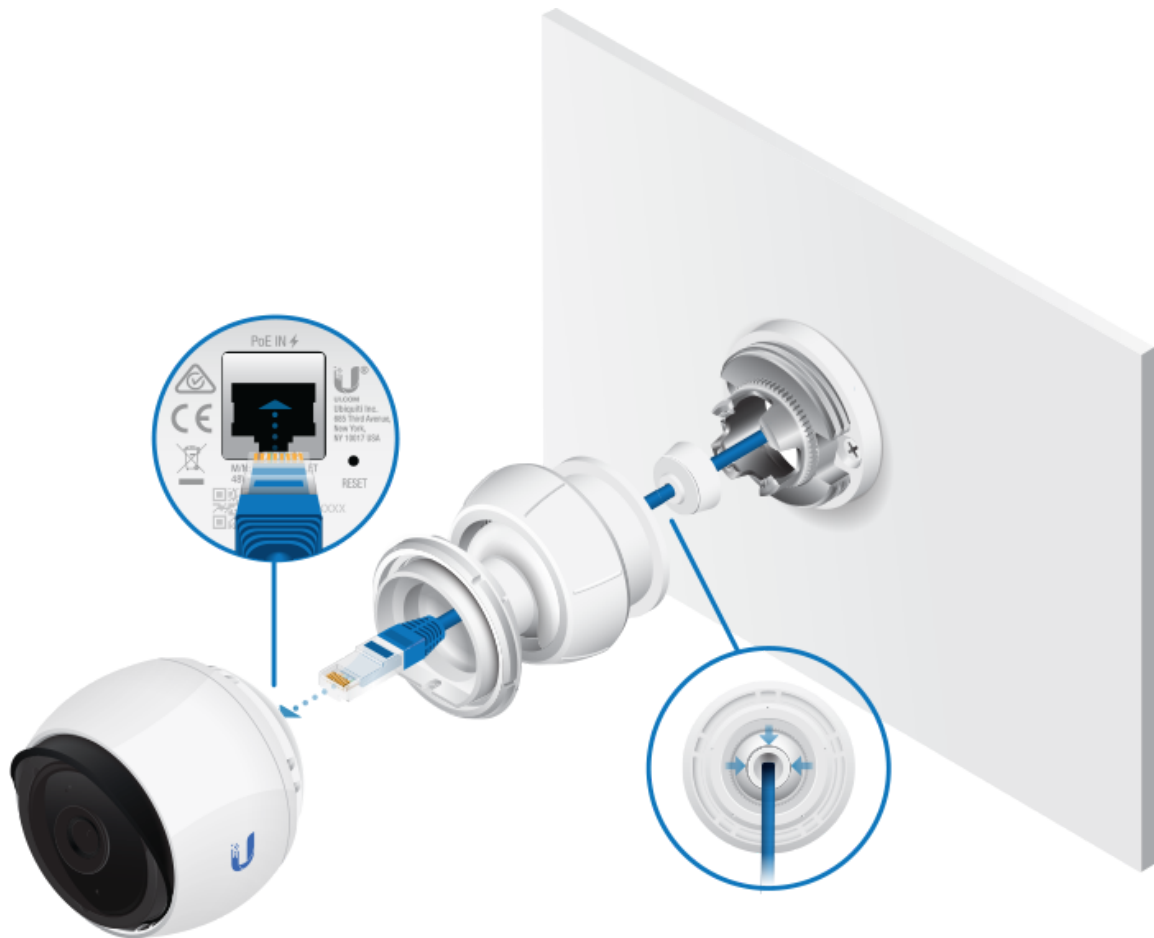




UVC-G4-BULLET Quick Start Guide



8.



IMPORTANT: For proper weather sealing, the Cable Gland must fit securely within the Adjustable Base when the camera is mounted. Ensure that the Cable Gland is securely seated during installation and cable routing.

9.



UVC-G4-BULLET Quick Start Guide

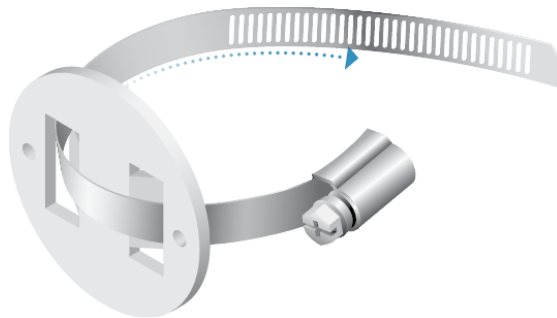


10.



Pole Mount

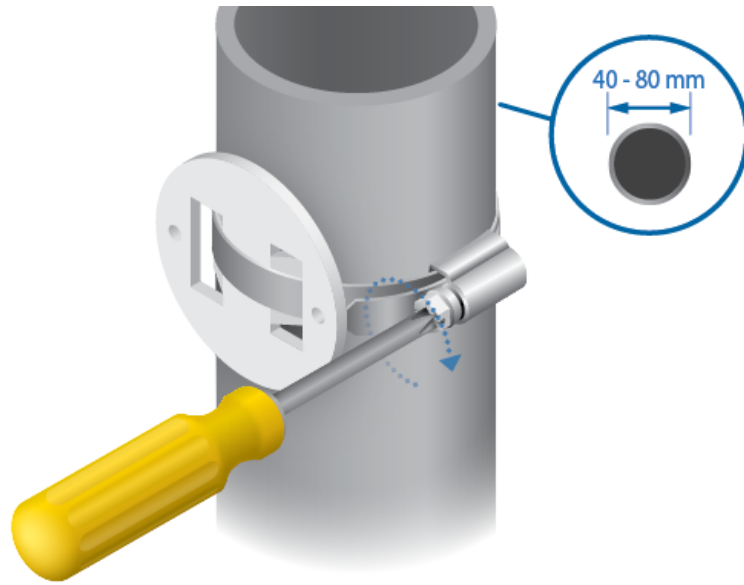
1.



2.



UVC-G4-BULLET Quick Start Guide



3.



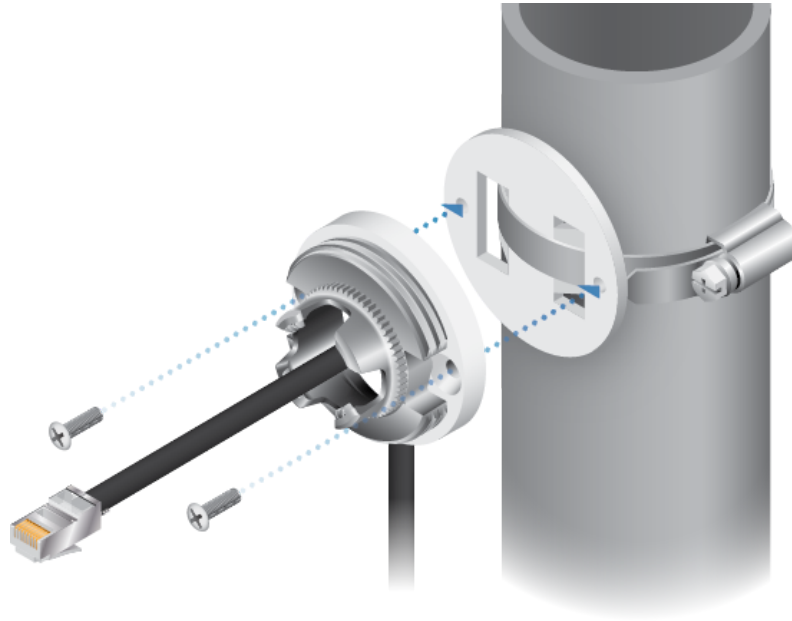
4.



5.



UVC-G4-BULLET Quick Start Guide



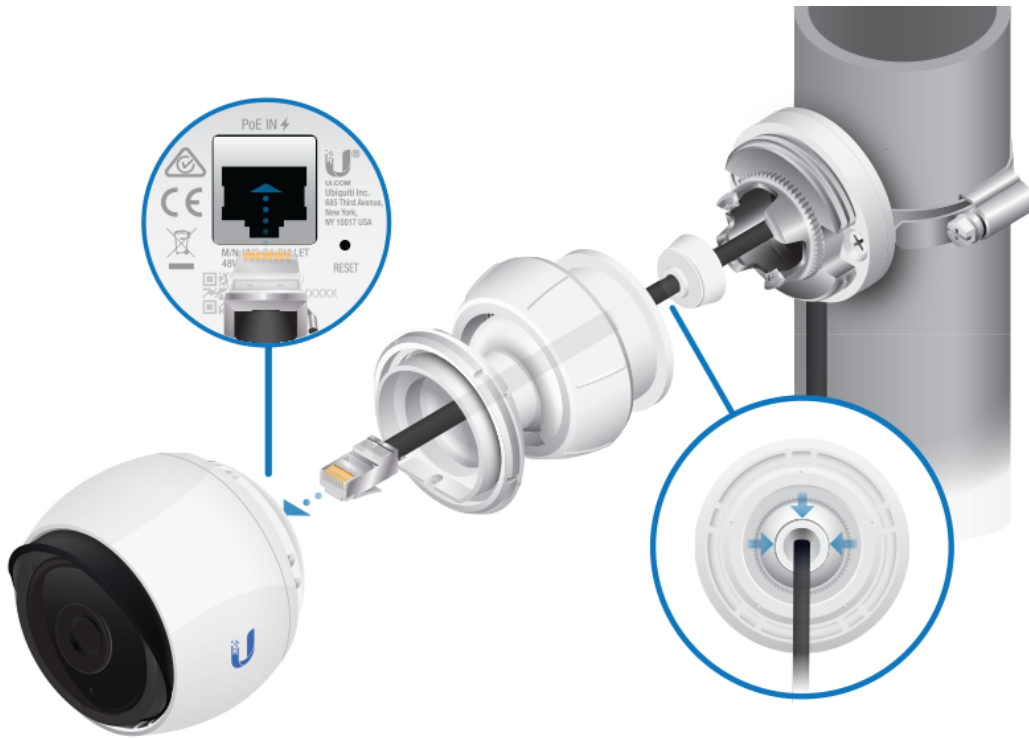
6.



7.



UVC-G4-BULLET Quick Start Guide



! **IMPORTANT:** Ensure that the Cable Gland is securely seated during installation and cable routing.

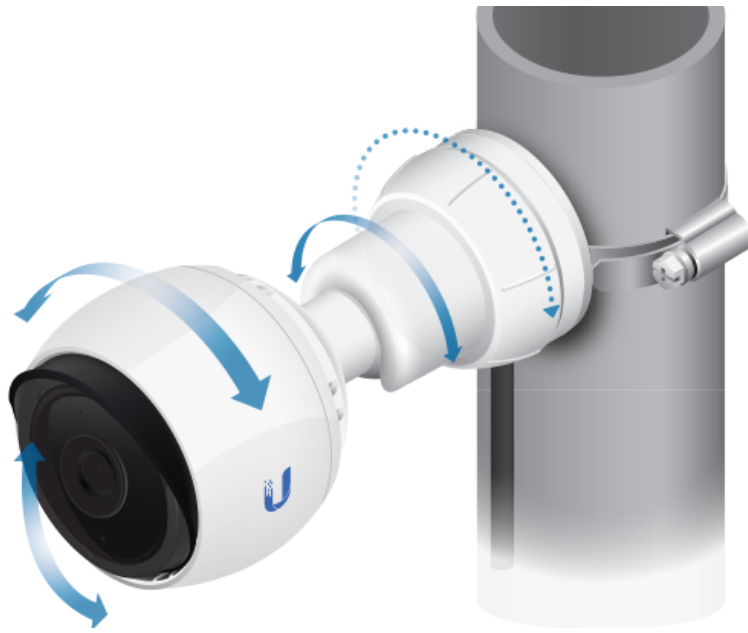
8.



9.



UVC-G4-BULLET Quick Start Guide



Connecting to a PoE Switch



Setting Up UniFi Protect via App



UVC-G4-BULLET Quick Start Guide



Launch the UniFi Protect app and follow the on-screen instructions to complete setup.

Adjusting the Camera View

1.



2.



Specifications



UVC-G4-BULLET Quick Start Guide

Dimensions	Ø 75 x 140 mm (Ø 2.95 x 5.51)
Weight	458 g (1 lb)
Enclosure	Injection-Molded Polycarbonate and Die-Cast Aluminum
Networking Interface	(1) 10/100/1000 Ethernet Port
Viewing Angle	86° (H), 60° (V), 111° (D)
Night Mode	IR LEDs with Mechanical IR Cut Filter
Video Compression	H.264
Resolution	(4MP) 2688 x 1520
Maximum Frame Rate	24 FPS
Image Settings	Brightness, Contrast, Sharpness, Saturation, Noise Reduction, 50/60 Hz
Processor	Ambarella S5L55m
Memory	512 MB DDR3L
Management Interface	UniFi Protect
Microphone	Yes
Max. Power Consumption	4W
Power Method	802.3af
Power Supply	802.3af PoE Switch
Buttons	Factory Reset Button
Mounting	Wall/Ceiling/Pole (Kits Included)
Operating Temperature	-20 to 40° C (-4 to 104° F)
Operating Humidity	0 to 90% Noncondensing

Safety Notices

1. Read, follow, and keep these instructions.
2. Heed all warnings.
3. Only use attachments/accessories specified by the manufacturer.



WARNING: Hot surface. Do not touch.



WARNING: Do not use this product in location that can be submerged by water.

WARNING: Avoid using this product during an electrical storm. There may be a



UVC-G4-BULLETT Quick Start Guide

Electrical Safety Information

1. Compliance is required with respect to voltage, frequency, and current requirements indicated on the manufacturer's label. Connection to a different power source than those specified may result in improper operation, damage to the equipment or pose a fire hazard if the limitations are not followed.
2. There are no operator serviceable parts inside this equipment. Service should be provided only by a qualified service technician.

Limited Warranty

ui.com/support/warranty

The limited warranty requires the use of arbitration to resolve disputes on an individual basis, and, where applicable, specify arbitration instead of jury trials or class actions.

Compliance

FCC

Changes or modifications not expressly approved by the party responsible for compliance could void the user's authority to operate the equipment.

This device complies with Part 15 of the FCC Rules. Operation is subject to the following two conditions.

1. This device may not cause harmful interference, and
2. This device must accept any interference received, including interference that may cause undesired operation.

This equipment has been tested and found to comply with the limits for a Class A digital device, pursuant to Part 15 of the FCC Rules. These limits are designed to provide reasonable protection against harmful interference when the equipment is operated in a commercial environment. This equipment generates, uses, and can radiate radio frequency energy and, if not installed and used in accordance with the instruction manual, may cause harmful interference to radio communications. Operations of this equipment in a residential area is likely to cause harmful interference in which case the user will be required to correct the interference at his own expense.

ISED Canada

CAN ICES-3(A)/NMB-3(A)

Australia and New Zealand



Warning: This equipment is compliant with Class A of CISPR 32. In a residential environment this equipment may cause radio interference.

CE Marking



UVC-G4-BULLET Quick Start Guide



[WEEE Compliance Statement](#)

[Declaration of Conformity](#)

Online Resources



© 2021 Ubiquiti Inc. All rights reserved.